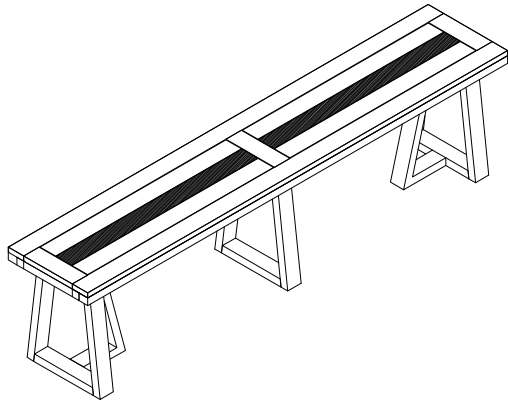
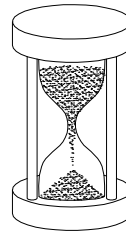


# PRAIRIE BENCH SKU#: 1568-03



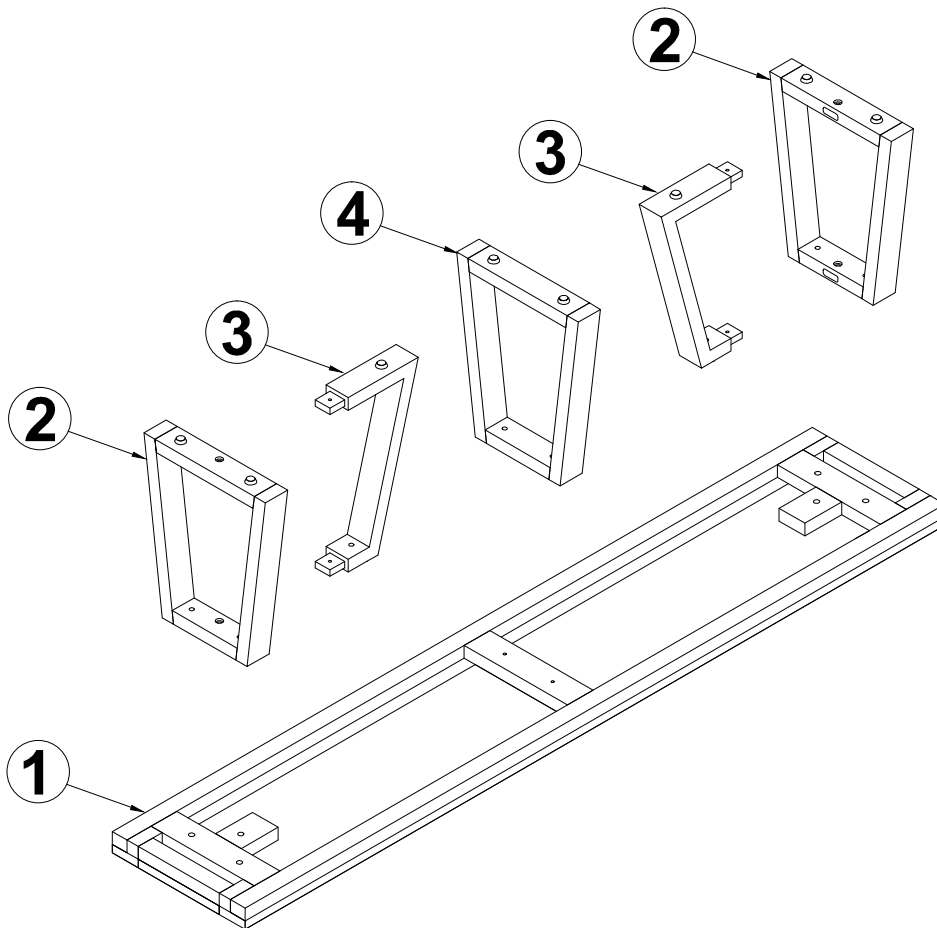
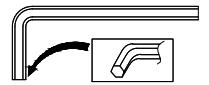
## ASSEMBLY INSTRUCTIONS







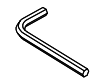
15 MIN



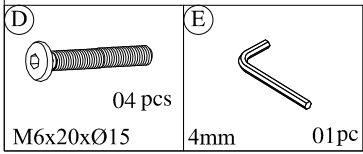
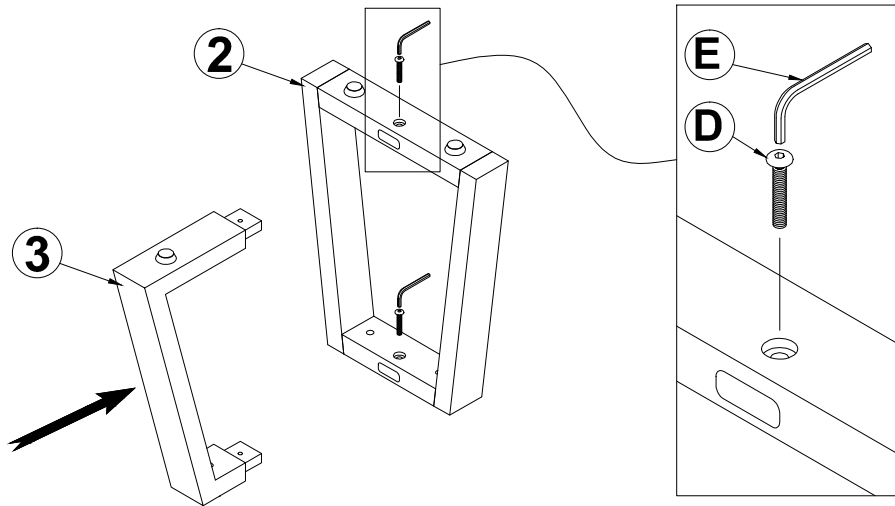
x 2



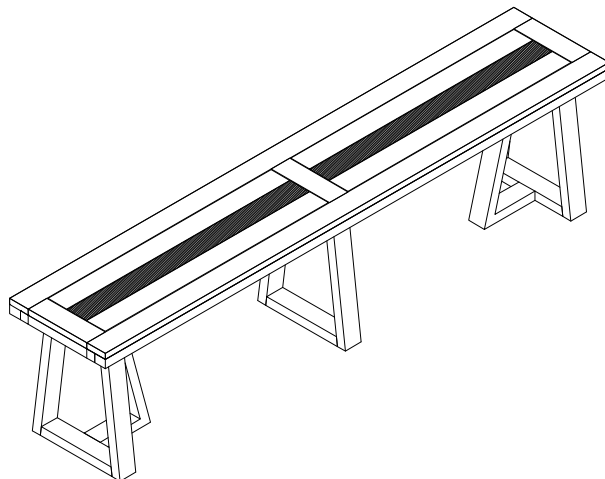
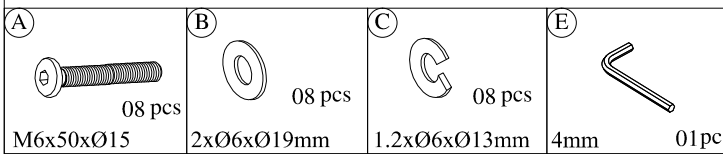
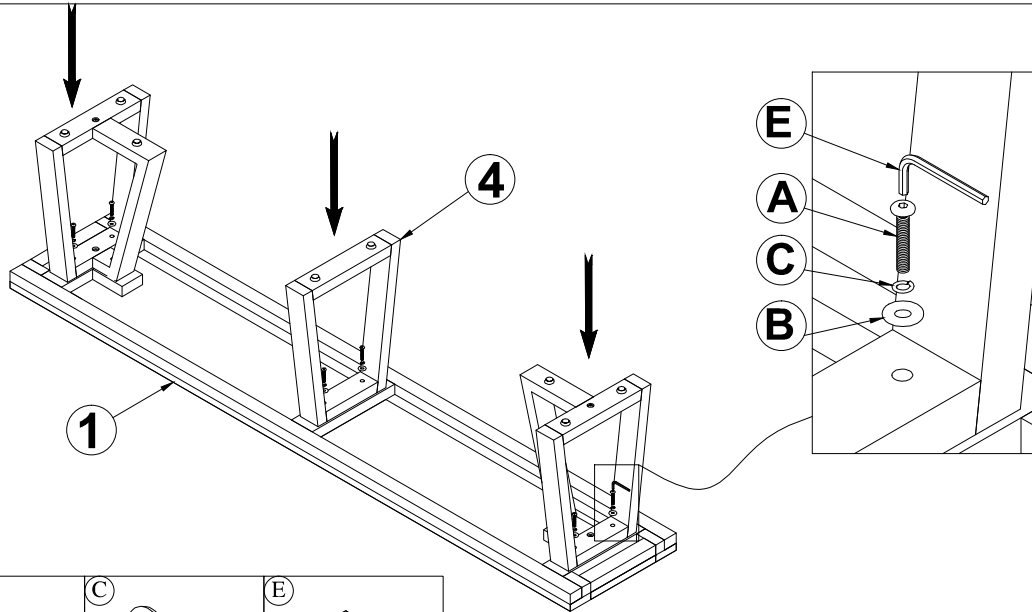
## HARDWARE LIST

<p><b>A</b></p>  <p>08 pcs M6x50xØ15</p>	<p><b>B</b></p>  <p>08 pcs 2xØ6xØ19mm</p>	<p><b>C</b></p>  <p>08 pcs 1.2xØ6xØ13mm</p>	<p><b>D</b></p>  <p>04 pcs M6x20xØ15</p>	<p><b>E</b></p>  <p>4mm 01pc</p>
---	--	--	--	---

STEP 1



STEP 2



COMPLETE